

# String Inverter (SUN2000-17KTL)



## Smart

- 3 MPPTs for versatile adaptations to different module types or quantities built up with different alignments
- 6 strings intelligent monitoring and 80% time saving for fault detection
- RS485 and USB ports for connectivity and data management
- Local graphic LCD display and remote monitoring

## Efficient

- Max. efficiency 98.6%, European efficiency 98.3%
- Easy to install with the weight of 48kg

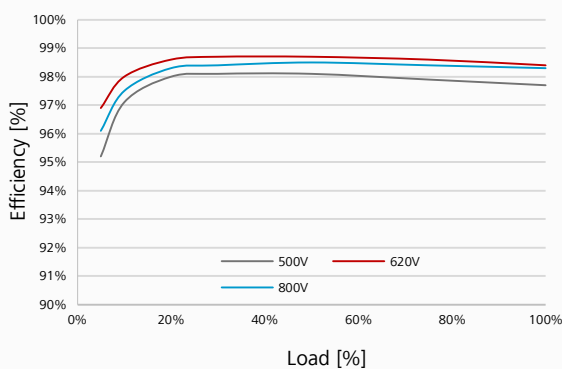
## Safe

- DC disconnect integrated, safe and convenient for maintenance
- Type II surge arresters for both DC and AC
- Ground fault protection
- Residual Current Detection (RCD) protection

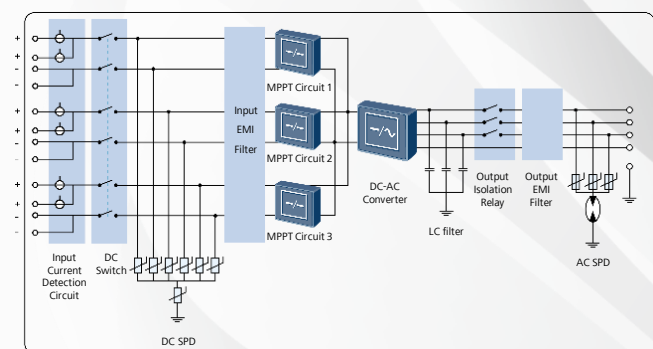
## Reliable

- No need for external fans with natural cooling technology
- Protection rating of IP65

Efficiency Curve



Circuit Diagram



SUN2000-17KTL



# String Inverter (SUN2000-17KTL)



| Technical Specifications                     | SUN2000-17KTL  |
|--|--|
|  | <b>Efficiency</b>  |
| Max. Efficiency                              | 98.6%  |
| European Efficiency                          | 98.3%  |
|  | <b>Input</b>   |
| Max. DC Usable Power                         | 19,100 W   |
| Max. Input Voltage                           | 1,000 V  |
| Max. Current per MPPT                        | 18 A   |
| Max. Short Circuit Current per MPPT          | 25 A   |
| Min. Operating Voltage / Start Input Voltage | 200 V / 250 V  |
| Full Power MPPT Voltage Range                | 400 V ~ 800 V  |
| MPPT Operating Voltage Range                 | 200 V ~ 950 V  |
| Rated Input Voltage                          | 620 V  |
| Max. Number of Inputs                        | 6  |
| Number of MPP Trackers                       | 3  |
|  | <b>Output</b>  |
| Rated AC Active Power                        | 17,000 W   |
| Max. AC Apparent Power                       | 18,700 VA  |
| Max. AC Active Power (cosφ=1)                | 18,700 W   |
| Rated Output Voltage                         | 220V / 380V, 230V / 400V, 3W+N+PE  |
| Rated AC Grid Frequency                      | 50 Hz / 60 Hz  |
| Max. Output Current                          | 28.4 A   |
| Adjustable Power Factor                      | 0.8 LG ... 0.8 LD  |
| Max. Total Harmonic Distortion               | < 3%   |
|  | <b>Protection</b>  |
| Input-side Disconnection Device              | Yes  |
| Anti-Islanding Protection                    | Yes  |
| AC Overcurrent Protection                    | Yes  |
| DC Overcurrent Protection                    | Fuseless   |
| DC Reverse-Polarity Protection               | Yes  |
| PV-array String Fault Monitoring             | Yes  |
| DC Surge Arrester                            | Type II  |
| AC Surge Arrester                            | Type II  |
| Insulation Monitoring                        | Yes  |
| Residual Current Detection                   | Yes  |
|  | <b>Communication</b>   |
| Display                                      | Graphic LCD  |
| RS485  | Yes  |
| USB  | Yes  |
|  | <b>General</b>   |
| Dimensions ( W×H×D )                         | 520 x 610 x 255 mm (20.5 x 24.0 x 10.0 inch)   |
| Weight                                       | 48 kg (105 lb.)  |
| Operation Temperature Range                  | -25 °C ~ 60 °C (-13°F ~ 140°F)   |
| Cooling                                      | Natural Convection   |
| Max. Operating Altitude Without Derating     | 3,000 m (9,842 ft.)  |
| Relative Humidity                            | 0~100%   |
| DC Connector                                 | Amphenol H4  |
| AC Connector                                 | Amphenol C16/3   |
| Protection Rating                            | IP65   |
| Internal Consumption at Night                | < 1 W  |
| Topology                                     | Transformerless  |
| Noise Emission (Typical)                     | <29 dB   |
|  | <b>Standards Compliance</b>  |
| Safety / EMC                                 | EN/IEC 61000-6-1, EN/IEC 61000-6-2, EN/IEC 61000-6-3, EN/IEC 61000-6-4, EN/IEC 62109-1, EN/IEC 62109-2   |
| Grid Code                                    | IEC 61727, IEC 62116, NB/T 32004-2013, VDE-AR-N-4105, VDE 0126-1-1, BDEW, G59/3, UTE C 15-712-1, CEI 0-16, CEI 0-21, C10/11, EN 50438-Ireland, EN 50438-Turkey, AS 4777, NRS 097-2-1 |

Always Available for Highest Yields



[www.huawei.com/solar](http://www.huawei.com/solar)